
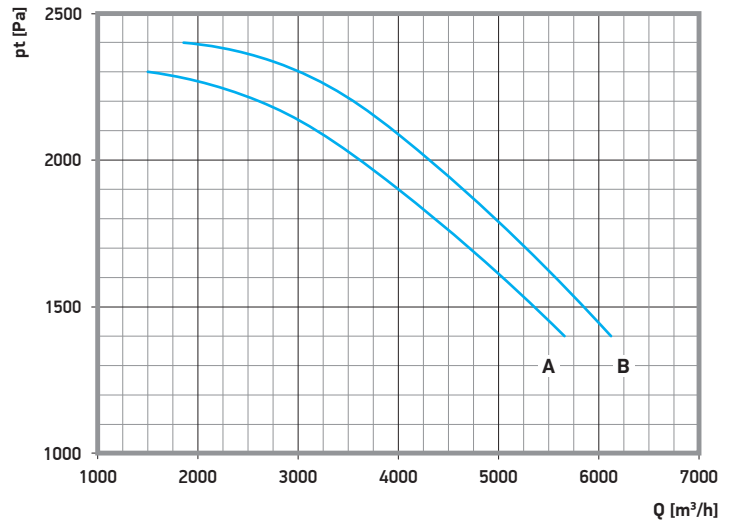


# Centrifugal fan FEM 300 series

standard handed RD 0° (other handings available) • protection degree IP 55 • efficiency class IE3



 **3 x 400 V**  
**50 Hz**



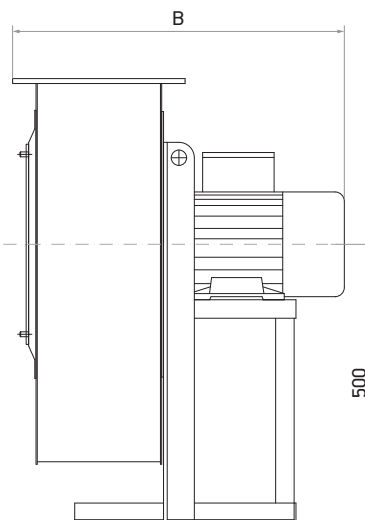
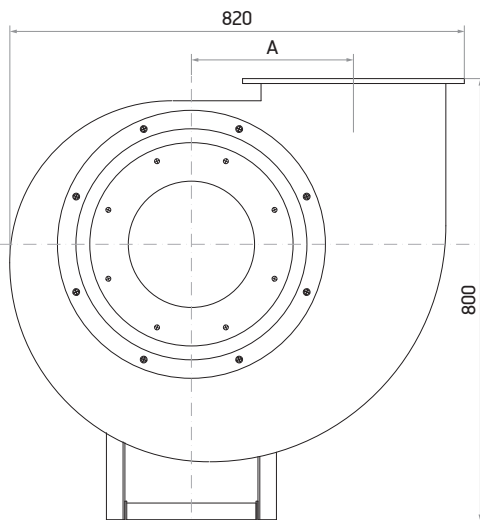
A - FEM 315 / 317

B - FEM 355 / 357

Catalogue number	Type	Air flow	Compression	Fan speed	Motor power	Current	Operating temp.	Weight
59-850-315	FEM 315	1500 - 5800 m³/h	2300 - 1300 Pa	2900 rpm	3,0 kW	6,0 A	standard	92,0 kg
59-850-317	FEM 317	1500 - 5800 m³/h	2300 - 1300 Pa	2900 rpm	3,0 kW	6,0 A	+300°C	92,0 kg
59-850-355	FEM 355	1700 - 6200 m³/h	2400 - 1400 Pa	2900 rpm	4,0 kW	7,6 A	standard	98,0 kg
59-850-357	FEM 357	1700 - 6200 m³/h	2400 - 1400 Pa	2900 rpm	4,0 kW	7,6 A	+300°C	98,0 kg

Sound pressure level measured at a distance of 1 m, according to DIN 45635, 45633.

			63	125	250	500	1000	2000	4000	8000	Hz
59-850-31x	FEM 31x	cover	49	53	59	59	60	59	55	51	dB
		inlet	60	64	70	70	71	70	66	62	
59-850-35x	FEM 35x	cover	50	54	60	60	61	60	56	52	
		inlet	61	65	71	71	72	71	67	63	



Type	A	B
FEM 315	293	609
FEM 355	293	609
FEM 357	310	628

## Fan spigot outlet

- mounting screws included
- made of steel

Cat. no.:	FEM:	Diameter:	Weight:
58-4840-251	315	200 mm	2,7 kg
58-4840-355	355	355 mm	3,3 kg
58-4840-357	355	400 mm	3,3 kg
58-4840-358	355	450 mm	3,3 kg



## Fan spigot inlet

Cat. no.:	FEM:	Diameter:	Weight:
58-4830-252	315	200 mm	0,8 kg
58-4830-251	315	250 mm	0,7 kg
58-4830-315	315	315 mm	2,9 kg
58-4830-355	315, 355	355 mm	☒
58-4830-357	355	400 mm	☒
58-4830-358	355	400 mm	☒



## Vibration absorbers

- to avoid vibration transfer from fan to building structure
- including 4 vibration absorbers
- weight 0,2 kg

Cat. no.:	Dimensions:	Thread:
59-4864-016	30 x 20 mm	M8
59-4864-017	50 x 30 mm	M10



## Fan bracket kit

Cat. no.:	Length:	Weight:
80-4138-060	600 mm	11,0 kg
80-4138-080	800 mm	13,6 kg
80-4138-100	1000 mm	15,6 kg
80-4138-120	1200 mm	☒
80-4138-150	1500 mm	29,5 kg
80-4138-180	1800 mm	☒
80-4138-200	2000 mm	☒



## Anti vibration sleeve

- made of neoprene, including 2 hose clips
- length 200 mm

Cat. no.:	Diameter:	Operating temp.:
59-4863-250 / 251	250 mm	+180°C / +300°C
59-4863-315	315 mm	+180°C / +300°C
59-4863-355 / 356	355 mm	+180°C / +300°C
59-4863-400 / 401	400 mm	+180°C / +300°C
59-4863-450 / 451	450 mm	+180°C / +300°C



## Motor protection switch

- can be used as an on/off switch
- weight 0,5 kg

Cat. no.:	Power:	Current:
74-5031-100	up to 4,0 kW	6,0 - 10,0 A
74-5031-160	up to 7,5 kW	10,0 - 16,0 A



## Repair switch

- to turn off the fan for maintenance purpose
- voltage 400 V
- current up to 25,0 A
- protection degree IP 65

Cat. no.:  
73-031-007



## Fan control for multiple remote switching

- fan starter for use with latching rotary switches
- cable ways for up to 3 remote switch points
- without motor protection

Cat. no.:  
74-5100-000



## Latching rotary switch

- for remote fan switching
- use with control panel cat. no. 74-5100-000
- weight 0,5 kg

Cat. no.:  
74-5100-010



## Fan soft starter control

- connection facility for up to 6 remote switches
- LED power and fault indication
- internal transformer with 24V secondary for control circuits
- dimensions 380 x 600 x 210 mm

Cat. no.:	Power:	Weight:
70-4010-007	up to 7,5 kW	21,5 kg



## Fan starter star delta

- connection facility for up to 6 remote switches
- LED power and fault indication
- internal transformer with 24V secondary for control circuits
- dimensions 380 x 600 x 210 mm

Cat. no.:	Power:	Weight:
70-4010-107	up to 7,5 kW	21,5 kg



## Acoustic enclosure box

- for working indoors
- made of steel
- sound absorption up to 12 dB(A)
- weight 139 kg

Cat. no.:	FEM:	Diameter:
57-4840-314	315	250 mm
57-4840-315	315	315 mm
57-4840-355	355	355 mm



## Acoustic enclosure box

- for changing weather conditions
- made of steel
- sound absorption up to 12 dB(A)
- weight 129 kg

Cat. no.:	FEM:	Diameter:
57-4841-314	315	250 mm
57-4841-315	315	315 mm
57-4841-355	355	355 mm

