

# Acoustic enclosure box type FEM 750 series

To reduce noise transmission in the workplace



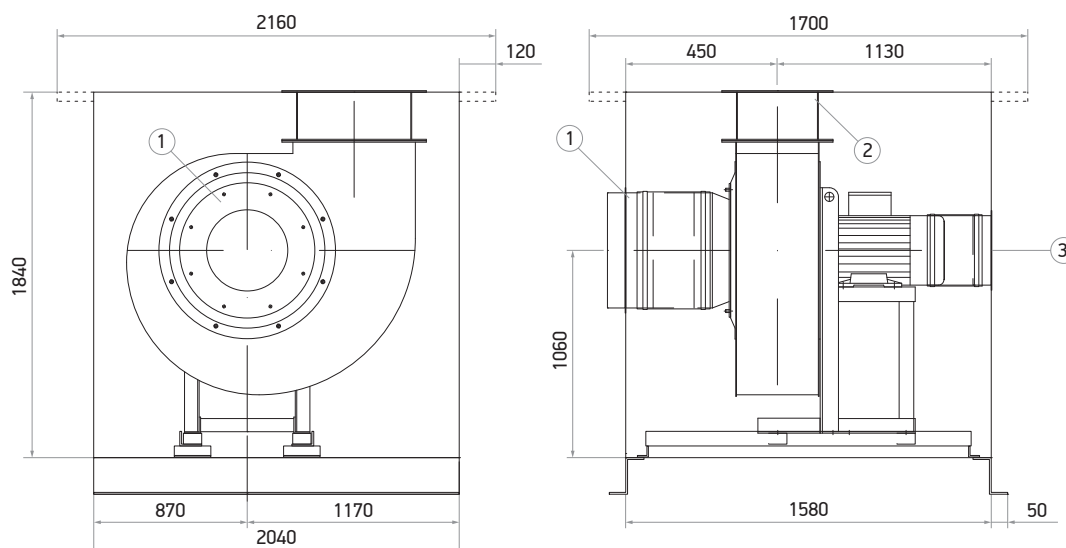
**Standard version**  
for noise reducing inside a building



**WP version**  
for noise reducing outside a building

Catalogue number	FEM type	Version	Diameter		Sound absorption	Weight
			Inlet	Outlet		
57-4840-750	750	standard	630 mm	630 mm	up to 12 dB(A)	~450,0 kg
57-4841-750	750	WP	630 mm	630 mm	up to 12 dB(A)	~450,0 kg
57-4840-753	753	standard	630 mm	730 x 520 mm	up to 12 dB(A)	331,0 kg
57-4841-753	753	WP	630 mm	730 x 520 mm	up to 12 dB(A)	331,0 kg

ATTENTION! Dimensions for FEM 753



1. Connection inlet (other diameter possible)
2. Connection outlet (other diameter possible)
3. Engine cooling