

Acoustic enclosure box for fans type N34 / N35 / N36 / N92

To reduce noise transmission in the workplace

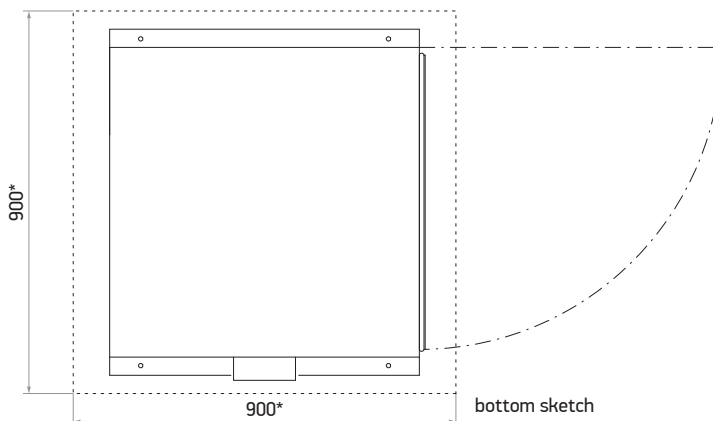
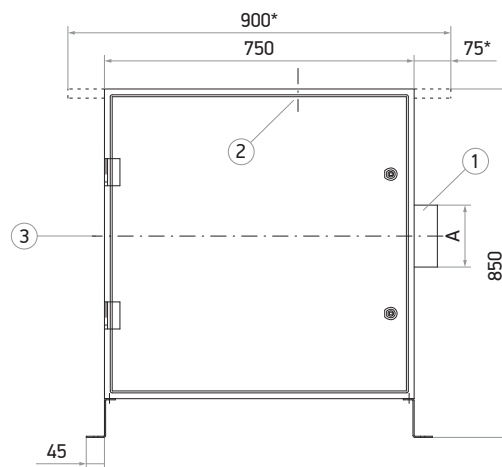
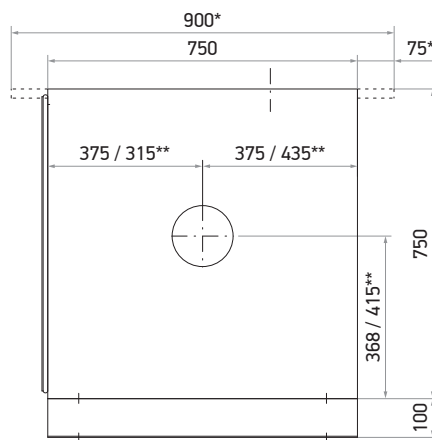


Standard version
for noise reducing inside a building



WP version
for noise reducing outside a building

| Catalogue number | Fan type | Version | Diameter | | Sound absorption | Weight |
|------------------|---------------|----------|-----------|--------|------------------|---------|
| | | | Inlet „A” | Outlet | | |
| 57-4890-171 | N34, N35, N36 | standard | 160 mm | 160 mm | up to 12 dB(A) | 67,0 kg |
| 57-4841-070 | N34, N35, N36 | WP | 160 mm | 160 mm | up to 12 dB(A) | 68,0 kg |
| 57-4890-179 | N92 | standard | 200 mm | 200 mm | up to 12 dB(A) | 67,0 kg |
| 57-4841-093 | N92 | WP | 200 mm | 200 mm | up to 12 dB(A) | 68,0 kg |



bottom sketch

1. Connection inlet (other diameter possible)
2. Connection outlet (other diameter possible)
3. Engine cooling

* roofing dimensions for the WP version

** dimensions for the N92