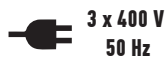
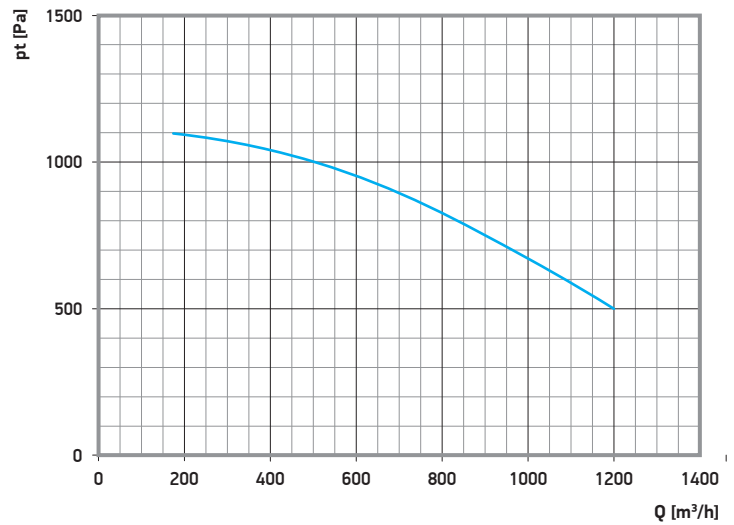
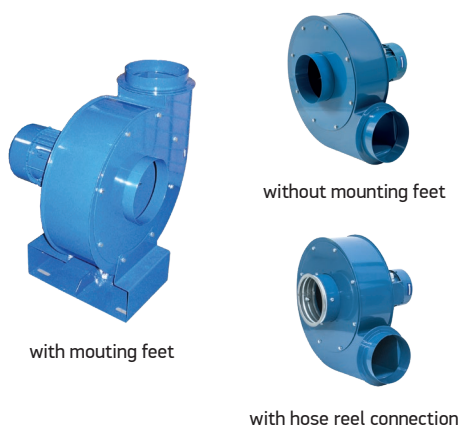


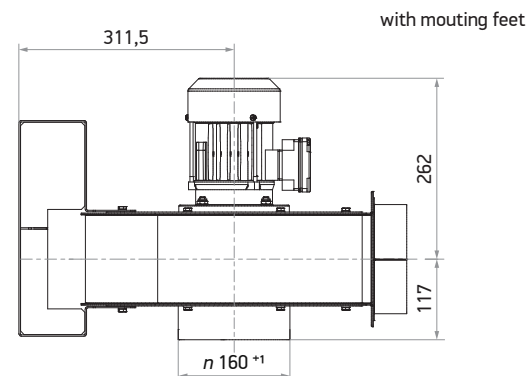
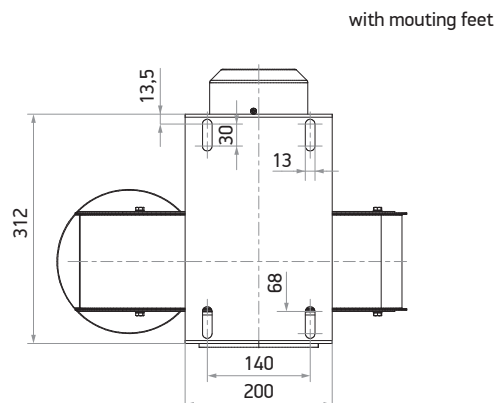
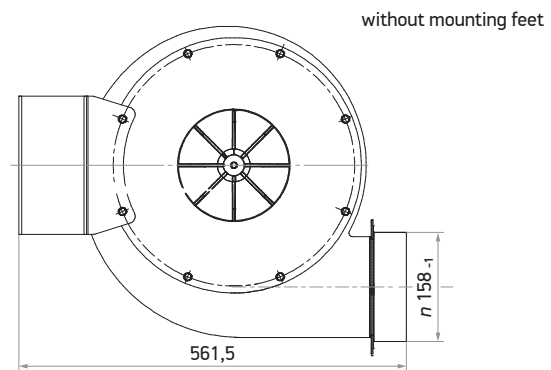
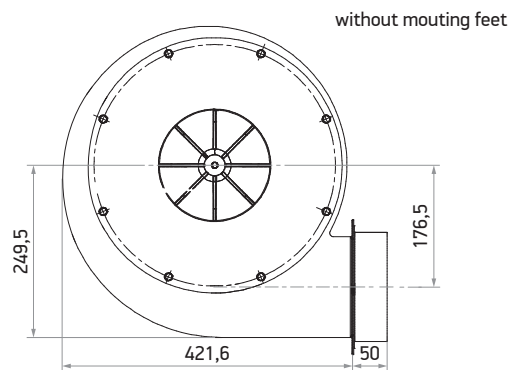
# Centrifugal fan type N34 with mounting feet / without mounting feet / with hose reel connection

standard handed RD 0° (other handings available) • protection degree IP 55 • efficiency class IE3



Catalogue number	Mounting feet	Air flow	Compression	Fan speed	Motor power	Current	Noise level	Weight
59-816-034	yes	180 - 1200 m³/h	1100 - 500 Pa	2800 rpm	0,37 kW	1,0 A	<81 dB (A)	17,5 kg
59-817-034	no	180 - 1200 m³/h	1100 - 500 Pa	2800 rpm	0,37 kW	1,0 A	<81 dB (A)	14,5 kg

55-4741-034 - with hose reel connection (technical data same as 59-817-034)



## Vibration absorbers

- to avoid vibration transfer from fan to building structure
- including 4 vibration absorbers
- weight 0,2 kg

Cat. no.: 59-4864-016      Dimensions: 30 x 20 mm      Thread: M8



## Fan bracket kit

- 2 x brackets for mounting fans to walls and columns

Cat. no.: 80-4138-060      Length: 600 mm      Weight: 12,0 kg



## Anti vibration sleeve

- made of neoprene
- length 200 mm
- including 2 hose clips

Cat. no.: 59-4863-160      Diameter: 160 mm      Weight: 0,8 kg  
 59-4863-200      200 mm      0,9 kg



## Motor protection switch

- can be used as an on/off switch
- weight 0,5 kg

Cat. no.: 74-5031-016      Power: up to 5,5 kW      Current: 1,0 - 1,6 A



## Repair switch

- to turn off the fan for maintenance purpose
- voltage 400 V
- current up to 25,0 A
- protection degree IP 65

Cat. no.: 73-031-007



## Fan control for multiple remote switching

- fan starter for use with latching rotary switches
- cable ways for up to 3 remote switch points
- without motor protection

Cat. no.: 74-5100-000



## Latching rotary switch

- for remote fan switching
- use with control panel cat. no. 74-5100-000
- weight 0,5 kg

Cat. no.: 74-5100-010



## Acoustic enclosure box

- for working indoors
- made of steel
- sound absorption up to 12 dB(A)
- weight 67 kg

Cat. no.: 57-4890-171      Diameter: 160 mm



## Acoustic enclosure box

- for changing weather conditions
- made of steel
- sound absorption up to 12 dB(A)
- weight 68 kg

Cat. no.: 57-4841-070      Diameter: 160 mm

