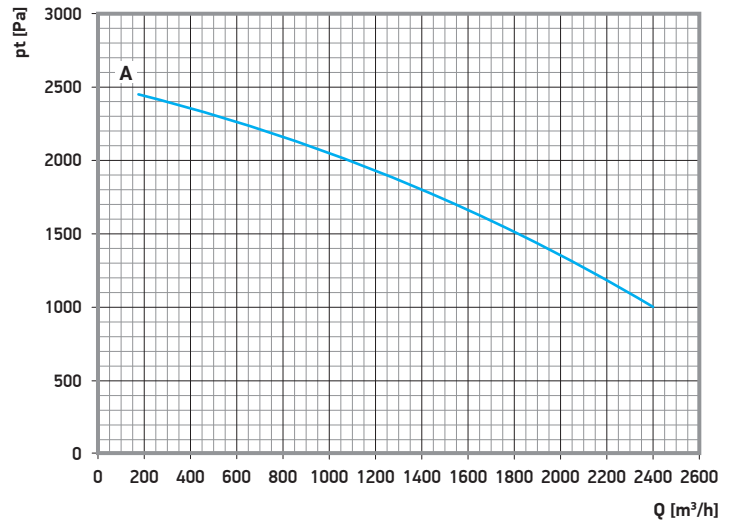
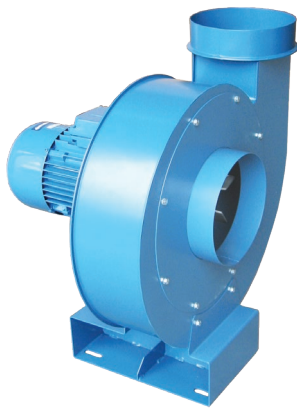



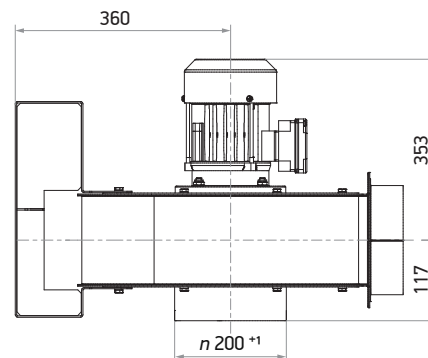
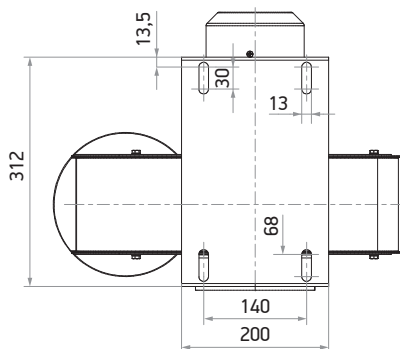
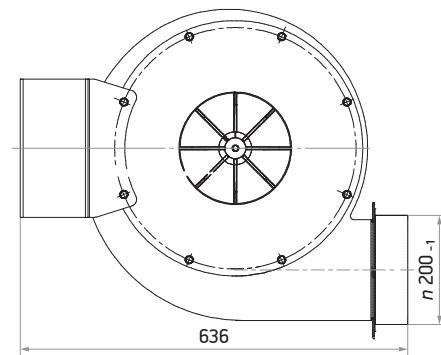
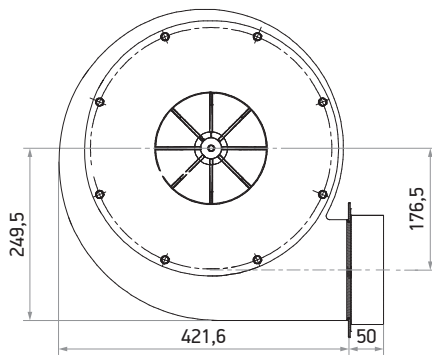
Centrifugal fan type N92 with mounting feet

standard handed RD 0° (other handings available) • protection degree IP 55 • efficiency class IE3



 **3 x 400 V**
50 Hz

Catalogue number	Air flow	Compression	Fan speed	Motor power	Current	Noise level	Weight
59-816-092	180 - 2400 m³/h	2420 - 1000 Pa	2800 rpm	2,2 kW	5,4 A	<93 dB (A)	34,5 kg



Vibration absorbers

- to avoid vibration transfer from fan to building structure
- including 4 vibration absorbers
- weight 0,2 kg

Cat. no.: 59-4864-016 Dimensions: 30 x 20 mm Thread: M8



Fan bracket kit

- 2 x brackets for mounting fans to walls and columns

Cat. no.: 80-4138-060 Length: 600 mm Weight: 12,0 kg



Anti vibration sleeve

- made of neoprene
- length 200 mm
- including 2 hose clips

Cat. no.: 59-4863-160 Diameter: 160 mm Weight: 0,8 kg
 59-4863-200 200 mm 0,9 kg



Motor protection switch

- can be used as an on/off switch
- weight 0,5 kg

Cat. no.: 74-5031-060 Power: up to 2,2 kW Current: 4,0 - 6,0 A
 74-5031-100 up to 4,0 kW 6,0 - 10,0 A



Repair switch

- to turn off the fan for maintenance purpose
- voltage 400 V
- current up to 25,0 A
- protection degree IP 65

Cat. no.: 73-031-007



Fan control for multiple remote switching

- fan starter for use with latching rotary switches
- cable ways for up to 3 remote switch points
- without motor protection

Cat. no.: 74-5100-000



Latching rotary switch

- for remote fan switching
- use with control panel cat. no. 74-5100-000
- weight 0,5 kg

Cat. no.: 74-5100-010



Acoustic enclosure box

- for working indoors
- made of steel
- sound absorption up to 12 dB(A)

Cat. no.: 57-4890-179 Diameter: 200 mm



Acoustic enclosure box

- for changing weather conditions
- made of steel
- sound absorption up to 12 dB(A)

Cat. no.: 57-4841-093 Diameter: 200 mm

