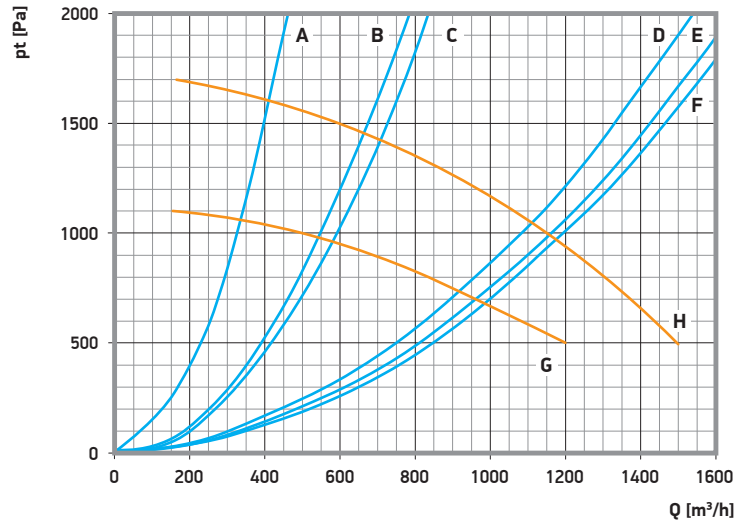


Exhaust hose reel S5 series spring driven

fan type N • hose type S • oval rubber nozzle / round aluminium nozzle



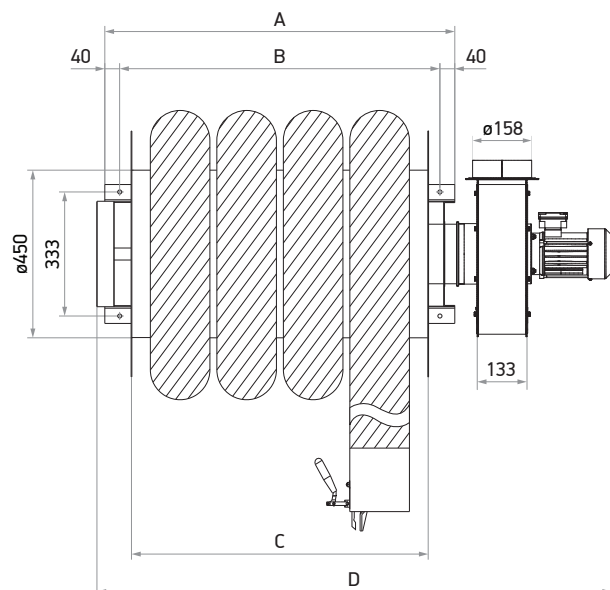
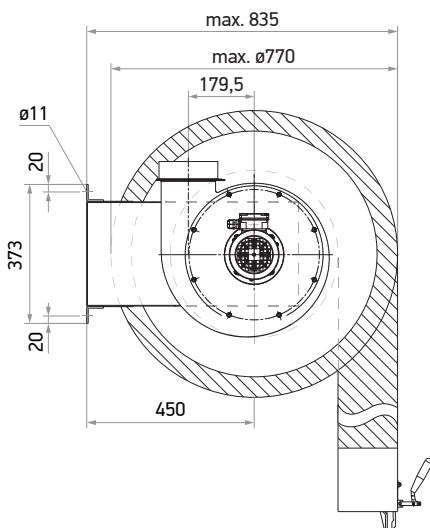
 **3 x 400 V**
50 Hz
 **+150°C**



- A - hose DN 75 mm, L=6 m
- B - hose DN 100 mm, L=10 m
- C - hose DN 100 mm, L=7,5 m
- D - hose DN 150 mm, L=10 m
- E - hose DN 150 mm, L=7,5 m
- F - hose DN 150 mm, L=6 m
- G - pressure drop for N34
- H - pressure drop for N35

The pressure drop diagram was developed on the assumption that the greater part of the hose is expanded. Recommended device's performance depends on the swept volume and speed of rotation. ATTENTION! The pressure drop diagram does not include exhaust nozzle and duct system.

Catalogue number	Reel's series	Exhaust hose S		Nozzle type	Fan			Weight	Reel's dimensions [mm]			
		Diameter	Length		Type	Power	Current		A	B	C	D
S5-4601-075	600	75 mm	6,0 m	25-4932-075	N34	0,37 kW	1,0 A	65,5 kg	745	665	600	1144
S5-4601-100	600	100 mm	7,5 m	25-4936-100	N34	0,37 kW	1,0 A	69,0 kg	745	665	600	1144
S5-4601-105	800	100 mm	10,0 m	25-4936-100	N34	0,37 kW	1,0 A	75,5 kg	945	865	800	1376
S5-4601-150	800	150 mm	7,5 m	25-4932-150	N35	0,75 kW	1,9 A	77,0 kg	945	865	800	1376
S5-4601-154	800	150 mm	10,0 m	25-4932-150	N35	0,75 kW	1,9 A	80,5 kg	945	865	800	1376
S5-4601-156	600	150 mm	6,0 m	25-4932-150	N35	0,75 kW	1,9 A	73,0 kg	745	665	600	1144



EQUIPMENT - INCLUDED

Fan for direct mounting on hose reel

- power supply 3 x 400 V, 50 Hz

Cat. no.:	Type:	Air flow:
55-4741-034	N34	180 - 1200 m ³ /h
55-4741-035	N35	180 - 1500 m ³ /h



Exhaust hose type S

- operating temperature from 0°C to +150°C
- TPE coated fabric with plastic helix

Cat. no.:	Diameter:
20-968-075	75 mm
20-968-100	100 mm
20-968-150	150 mm



Oval rubber exhaust nozzle

- with mechanical quick release clamping device
- operating temperature up to +180°C
- angle connector 60°C

Cat. no.:	Diameter:
25-4936-100	100 mm



Round aluminium exhaust nozzle

- with mechanical quick release clamp device
- operating temperature up to +300°C

Cat. no.:	Diameter:
25-4932-075	75 mm
25-4932-150	150 mm



Hose stop

- for spring recoil hose reels
- made of plastic

Cat. no.:	Diameter:
05-4990-040	75 mm
05-4990-041	100 mm
05-4990-043	150 mm



Hose clamp

- made of steel
- width 12 mm

Cat. no.:	Diameter:
24-156-076	75 mm
24-156-100	100 mm
24-156-150	150 mm



Hose clip protection

- velcro fastening
- made of rubber
- width 60 mm

Cat. no.:	Diameter:
24-158-076	75 mm
24-158-100	100 mm
24-158-150	150 mm



FAN CONTROL - ORDERED SEPARATELY

Fan control for multiple remote switching

- fan starter for use with latching rotary switches
- cable ways for up to 3 remote switch points
- without motor protection

Cat. no.:
74-5100-000



Motor protection switch

- can be used as an on/off switch
- weight 0,5 kg

Cat. no.:	Power:	Current:
74-5031-024	do 1,10 kW	1,6 - 2,5 A
74-5031-060	do 2,20 kW	4,0 - 6,3 A



Microswitch

- for centralized fan start

Cat. no.:
05-7430-114
05-4730-107 (for mechanical damper)

