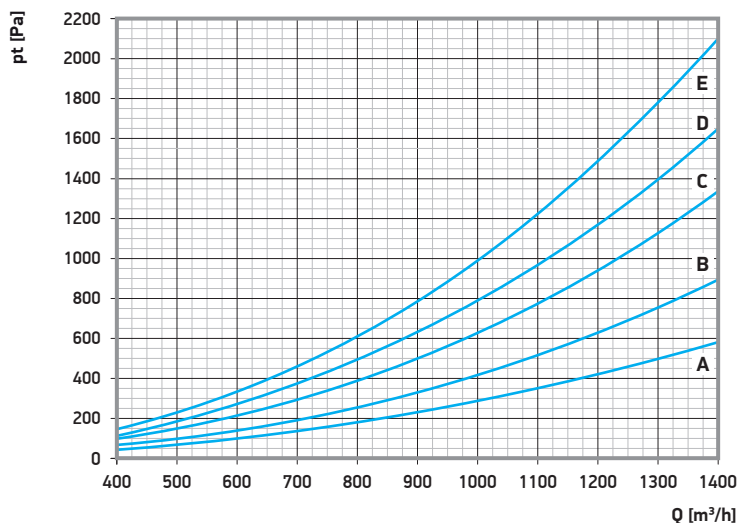


# Extraction track type EMS-HV with electromagnetic connection and automatic disconnection

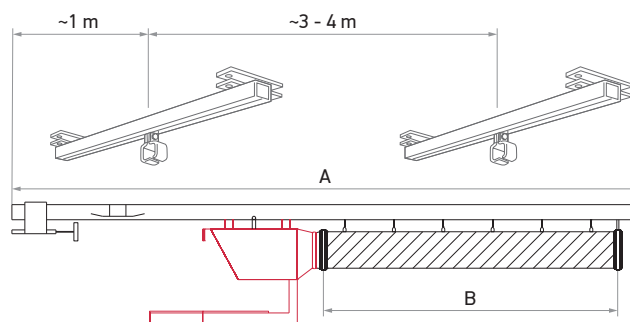
for vertical stack exhaust pipe systems



+200°C



A - hose L=3,0 m      C - hose L=9,0 m      E - hose L=15,0 m  
B - hose L=6,0 m      D - hose L=12,0 m



power supply  
to the electromagnet  
24 V, DC

**EMS-HV SET:**

The set consists of two elements specified in black and blue color  
To define the size of the required set, select dimensions from the tables below  
starting from the table marked in black.

- extraction track
- exhaust nozzle

| Catalogue number | „A” dimension | „B” dimension |
|------------------|---------------|---------------|
| 16-4600-035      | 3,5 m         | 3,0 m         |
| 16-4600-060      | 6,0 m         | 5,5 m         |
| 16-4600-070      | 7,0 m         | 6,5 m         |
| 16-4600-080      | 8,0 m         | 7,5 m         |
| 16-4600-095      | 9,5 m         | 9,0 m         |
| 16-4600-100      | 10,0 m        | 9,5 m         |
| 16-4600-120      | 12,0 m        | 11,5 m        |
| 16-4600-150      | 15,0 m        | 14,5 m        |
| 16-4600-180      | 18,0 m        | 17,5 m        |

| Catalogue number | Hose connection | Weight  |
|------------------|-----------------|---------|
| 16-4720-150      | 150 mm          | 21,5 kg |

## Aluminium profile type „RP” for EMS solutions



includes:

- aluminium profile
- profile connector
- disconnection rail
- hydraulic shock absorber
- exhaust hose with integrated wire
- mounting elements

## Extraction trolley for vertical stack exhaust pipe systems

includes:

- extraction trolley with guide
- connection box
- balancer heavy duty
- electromagnet integrated
- guides\*
- hose clamp
- hose clamp protection



\* ordered separately

|                     |                        |                    |                          |                                   |
|---------------------|------------------------|--------------------|--------------------------|-----------------------------------|
|                     |                        |                    |                          |                                   |
| Aluminium profile   | Profile connector      | Disconnection rail | Hydraulic shock absorber | Exhaust hose with integrated wire |
|                     |                        |                    |                          |                                   |
| Mounting elements   | Connection box         | Hose clamp         | Hose clamp protection    |                                   |
|                     |                        |                    |                          |                                   |
| Guide with a spring | Guide without a spring |                    |                          |                                   |

### ATTENTION!

Regardless of the length of the aluminium profile, you should always choose two guides with a spring and an appropriate number of guides without a spring.

### Should be selected separately:

