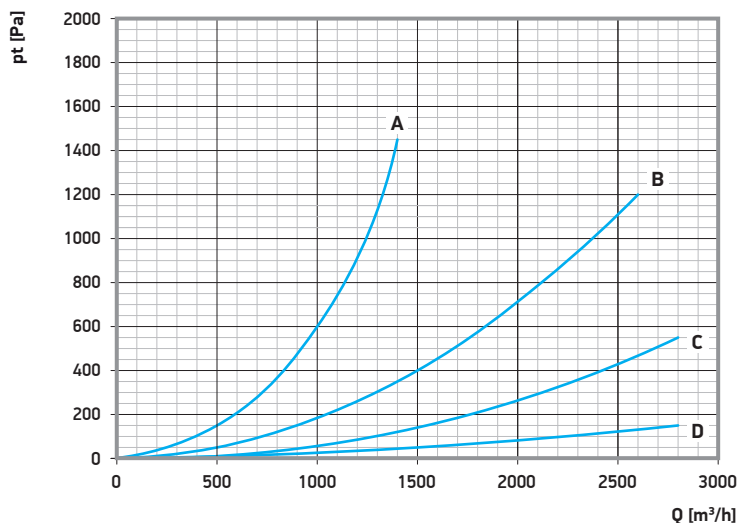


Extraction rail type TES HL with electromagnetic connection and automatic disconnection

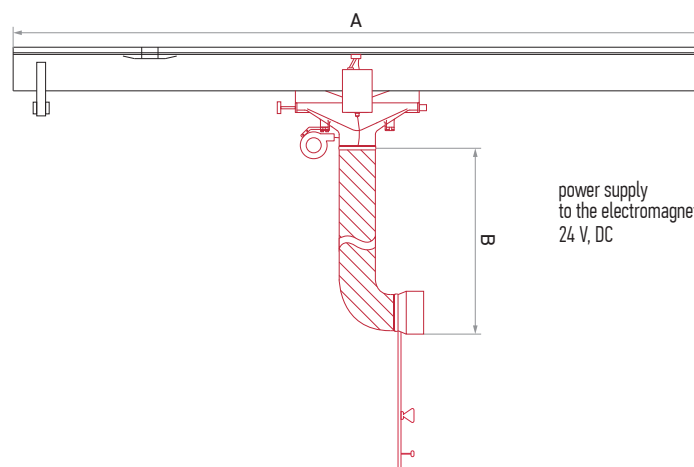
for high level exhaust systems • working range along the entire length of the rail



 +200°C



A - extraction trolley with hose L=2 m, DN 150 mm
 B - duct connector (top) DN 200 mm
 C - duct connector (end) DN 160 mm
 D - extraction rail TECHNORAIL / m



TES HL SET:

The set consists of two elements specified in black and red color
 To define the size of the required set, select dimensions from the tables below starting from the table marked in black.

- extraction rail Technorail Electromagnetic System
- extraction trolley for low level exhaust systems, handle with electromagnet

| Catalogue number* | „A” dimension |
|-------------------|---------------|
| 16-4800-030 | 3,0 m |
| 16-4800-060 | 6,0 m |
| 16-4800-075 | 7,5 m |
| 16-4800-100 | 10,0 m |
| 16-4800-125 | 12,5 m |

| Catalogue number | Hose diameter | „B” dimension | Weight |
|------------------|---------------|---------------|---------|
| 16-4810-150 | 150 mm | 2,0 m | 15,5 kg |

* extraction rails of any length at request

Equipment - included



Extraction rail type TECHNORAIL for TES systems

includes:

- extraction rail
- busbar
- rail connector
- end cover
- end stop
- disconnection rail
- bumper
- connection to the instalation
- mounting elements



Extraction trolley for high level exhaust systems

includes:

- extraction trolley type TECHNORAIL
- hydraulic shock absorber
- connection box
- light duty balancer
- exhaust hose with integrated wire
- exhaust nozzle handle with electromagnet
- electromagnet plate
- hose clamp
- hose clamp protection



| | | | | |
|---------------------------------|-----------------------------------|--|------------------------------------|----------------|
| | | | | |
| Extraction rail type TECHNORAIL | Busbar | Rail connector | End cover | End stop |
| | | | | |
| Disconnection rail | Bumper | Duct connector (end) | Extraction trolley type TECHNORAIL | Connection box |
| | | | | |
| Balancer light duty | Exhaust hose with integrated wire | Exhaust nozzle with handle and electromagnet | Electromagnet plate | Hose clamp |
| | | | | |
| Hose clamp protection | | | | |

Should be selected separately:

