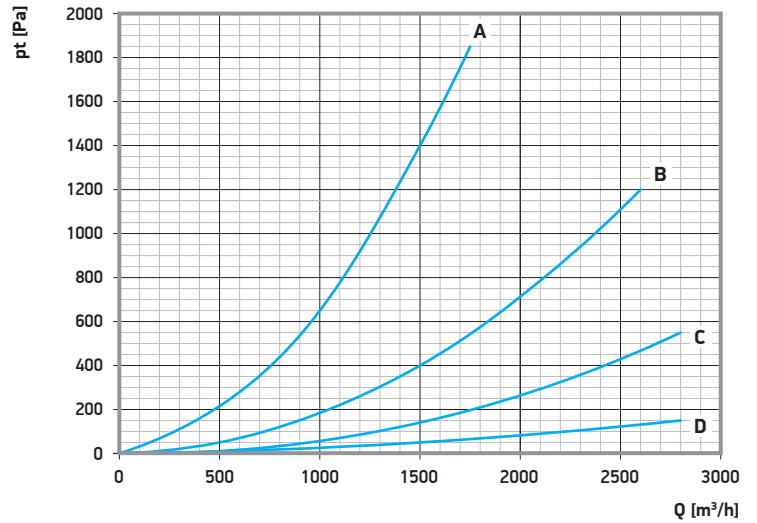
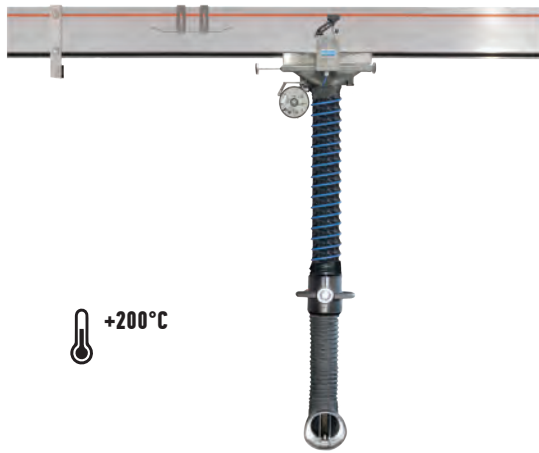


Extraction rail type TES LL with electromagnetic connection and automatic disconnection

for low level exhaust systems • working range along the entire length of the rail

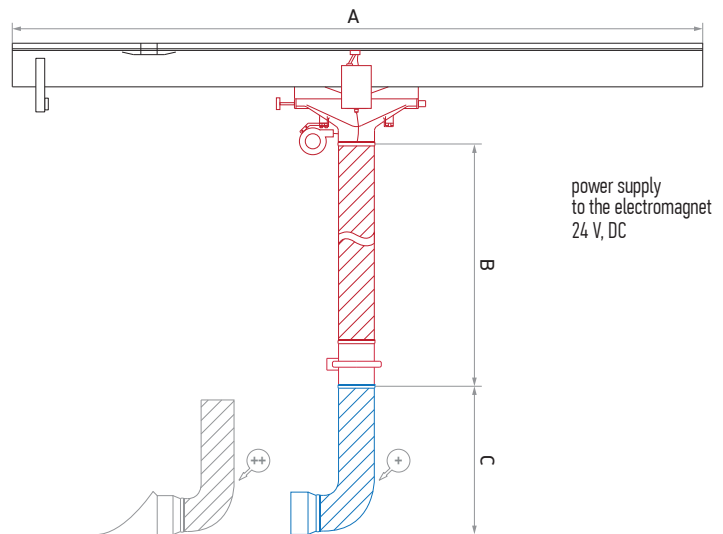


A - extraction trolley with hose L=4 m, DN 150 mm
 B - duct connector (top) DN 200 mm
 C - duct connector (end) DN 160 mm
 D - extraction rail TECHNORAIL / m

TES LL SET:

The set consists of three elements specified in black, red and blue color
 To define the size of the required set, select dimensions from the tables below starting from the table marked in black.

- extraction rail Technorail Electromagnetic System
- extraction trolley for low level exhaust systems, handle with electromagnet
- exhaust nozzle



Catalogue number*	„A” dimension
16-4800-030	3,0 m
16-4800-060	6,0 m
16-4800-075	7,5 m
16-4800-100	10,0 m
16-4800-125	12,5 m

Catalogue number	Hose diameter	„B” dimension	Weight
16-4820-125	125 mm	3,0 m	~15,0 kg
16-4820-126	125 mm	4,0 m	~16,0 kg
16-4820-150	150 mm	3,0 m	~17,0 kg
16-4820-151	150 mm	4,0 m	~18,0 kg

Catalogue number	Hose diameter	„C” dimension	Nozzle type
16-4500-125	125 mm	1,0 m	+
16-4500-126	125 mm	0,8 m	+
16-4500-127	125 mm	1,0 m	++
16-4500-128	125 mm	0,8 m	++
16-4500-150	150 mm	1,0 m	+
16-4500-151	150 mm	0,8 m	+
16-4500-152	150 mm	1,0 m	++
16-4500-153	150 mm	0,8 m	++

* extraction rails of any length at request

Equipment - included



Extraction rail type TECHNORAIL for TES systems

includes:

- extraction rail
- busbar
- rail connector
- end cover
- end stop
- disconnection rail
- bumper
- connection to the instalation
- mounting elements



Extraction trolley for low level exhaust systems

includes:

- extraction trolley type TECHNORAIL
- hydraulic shock absorber
- connection box
- light duty balancer
- exhaust hose with integrated wire
- handle with electromagnet
- electromagnet plate
- hose clamp
- hose clamp protection



Extraction rail type TECHNORAIL	Busbar	Rail connector	End cover	End stop
Disconnection rail	Bumper	Duct connector (end)	Extraction trolley type TECHNORAIL	Connection box
Balancer light duty	Exhaust hose with integrated wire	Handle with electromagnet	Electromagnet plate	Hose clamp
Hose clamp protection				

Should be selected separately:

