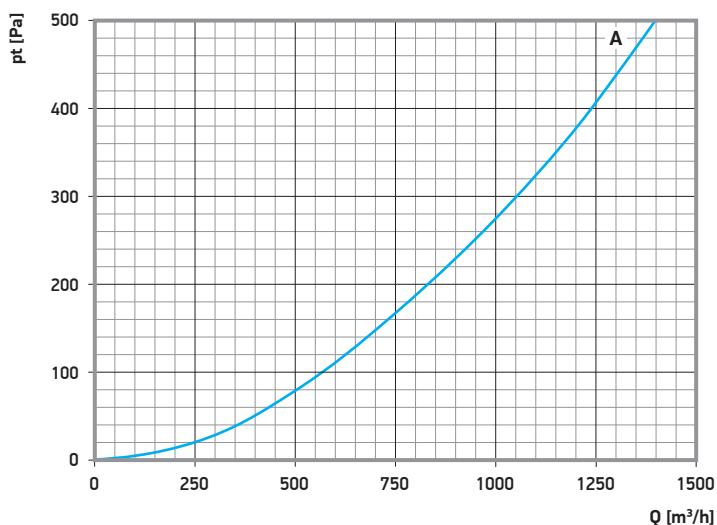


Extraction trolley for TECHNORAIL DN 75 mm / DN 100 mm

standard • with butterfly valve type S • with butterfly valve type B

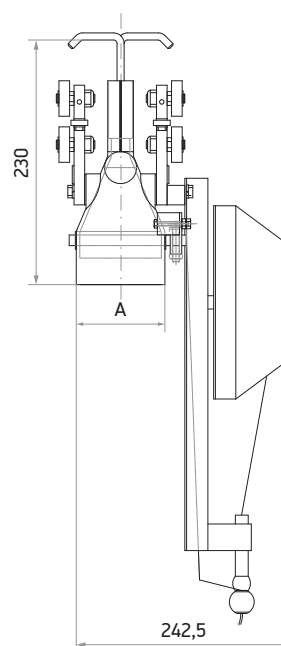
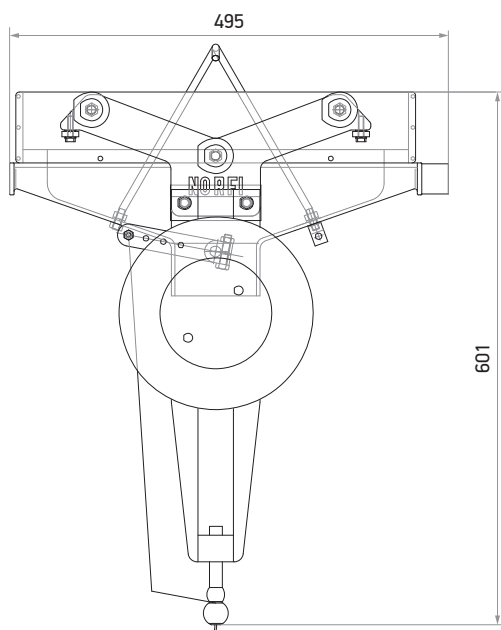


A = extraction trolley type standard DN 100 mm

Standard	Butterfly valve type S*	Butterfly valve type B**	Hose connection (A)	Extraction volume	Weight			
					Standard	Type S	Type B	Balancer
33-4040-076	33-4040-075	33-4040-074	75 mm	280 m³/h	4,4 kg	4,6 kg	4,9 kg	5,0 kg
33-4040-100	33-4040-099	33-4040-098	100 mm	500 m³/h	4,3 kg	4,5 kg	4,5 kg	5,0 kg

* with butterfly valve controlled by nozzle's wire with ring (not included)

** with butterfly valve controlled by balancer (not included)




BALANCER HOSE SUSPENSION

Balancer light duty

- rope length 4,2 m

Cat. no.:	Capacity:	Weight
36-153-151	3,5 ÷ 8,0 kg	5,0 kg



Balancer support

- for trolley type TECHNORAIL
- for balancer type 36-153-151
- made of steel
- weight 0,2 kg


Cat. no.: 32-4155-017



Hose suspension

- made of plastic
- with slip-resistant foam insert

Cat. no.:	Diameter:	Weight
24-4155-080	75 mm	0,3 kg
24-4155-100	100 mm	0,4 kg
24-4155-125	125 mm	0,4 kg
24-4155-150	150 mm	0,5 kg




STANDARD NOZZLE SUSPENSION

Wire with ring

- for mechanical nozzles
- mounting screws included
- weight 0,4 kg


Cat. no.:	Lenght:
24-4155-010	3000 mm
24-4155-012	4000 mm



Wire with ring

- for pneumatic nozzles
- mounting screws included

Cat. no.:	Lenght:
24-4155-013	3000 mm
24-4155-019	4000 mm




AUTOMATIC NOZZLE RELEASE FUNCTION

Disconnection rail

- made of steel
- weight 1,5 kg

Cat. no.: 34-4040-040

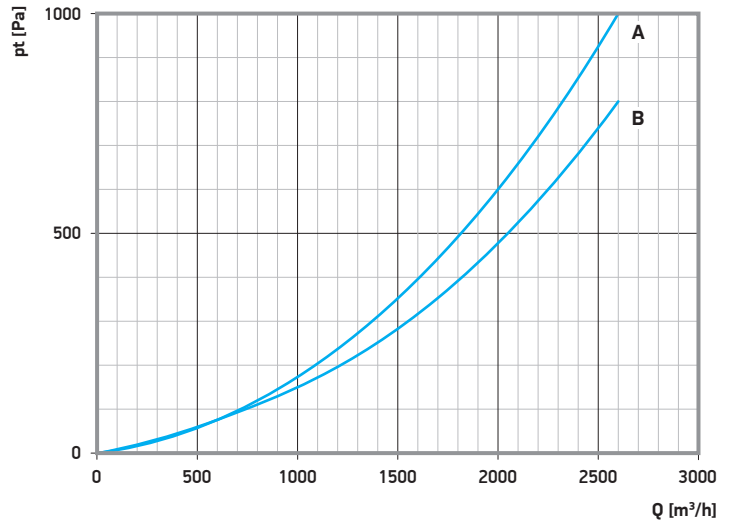


Should be selected separately:



Extraction trolley for TECHNORAIL DN 125 mm / DN 150 mm

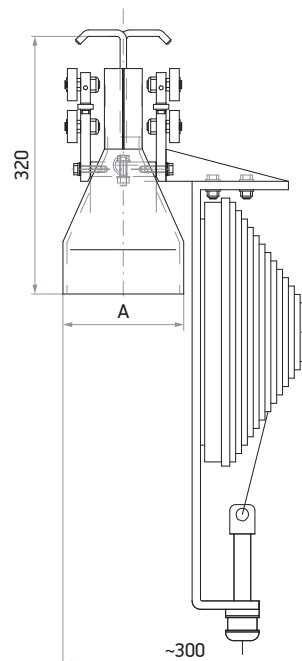
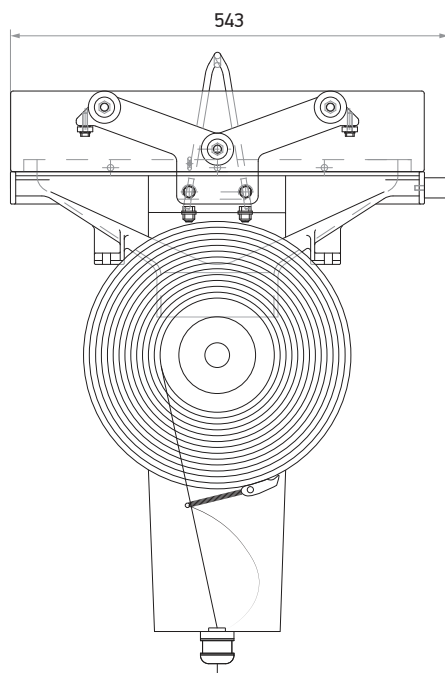
standard • with butterfly valve type S • with butterfly valve type B



A - extraction trolley with butterfly valve DN 150 mm
B - extraction trolley type standard DN 150 mm

Standard	Butterfly valve type S*	Butterfly valve type B**	Hose connection (A)	Extraction volume	Weight			
					Standard	Type S	Type B	Balancer
33-4040-125	33-4040-124	33-4040-123	125 mm	800 m³/h	5,6 kg	5,7 kg	5,6 kg	10,5 kg
33-4040-150	33-4040-149	33-4040-148	150 mm	1150 m³/h	5,5 kg	6,5 kg	7,9 kg	10,5 kg

* with butterfly valve controlled by nozzle's wire with ring (not included)
** with butterfly valve controlled by balancer (not included)




BALANCER HOSE SUSPENSION

Balancer heavy duty

- rope length 8,0 m

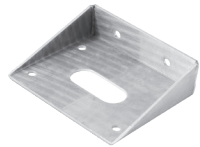
Cat. no.:	Capacity:	Weight
39-154-431	5,0 ÷ 11,0 kg	10,5 kg
39-154-631	7,0 ÷ 15,0 kg	10,5 kg



Balancer support

- for balancer type 431 / 631
- made of steel
- weight 1,2 kg

Cat. no.:
34-155-018




OR

Balancer light duty

- rope length 4,2 m

Cat. no.:	Capacity:	Weight
36-153-151	3,5 ÷ 8,0 kg	5,0 kg



Balancer support

- for trolley type TECHNORAIL
- for balancer type 36-153-151
- made of steel
- weight 0,2 kg

Cat. no.:
32-4155-017




+

Hose suspension

- made of plastic
- with slip-resistant foam insert


Cat. no.:	Diameter:	Weight
24-4155-080	75 mm	0,3 kg
24-4155-100	100 mm	0,4 kg
24-4155-125	125 mm	0,4 kg
24-4155-150	150 mm	0,5 kg



Balancer support

- for trolley type TECHNORAIL, DN 125 / 150 mm
- for balancer type 36-153-151
- made of steel
- weight 0,3 kg

Cat. no.:
32-4155-019




OR

STANDARD NOZZLE SUSPENSION

Wire with ring

- for mechanical nozzles
- mounting screws included
- weight 0,4 kg


Cat. no.:	Length:
24-4155-010	3000 mm
24-4155-012	4000 mm



Wire with ring

- for pneumatic nozzles
- mounting screws included

Cat. no.:	Length:
24-4155-013	3000 mm
24-4155-019	4000 mm




OR

AUTOMATIC NOZZLE RELEASE FUNCTION

Disconnection rail

- made of steel
- weight 1,5 kg

Cat. no.:
34-4040-040



Should be selected separately:

